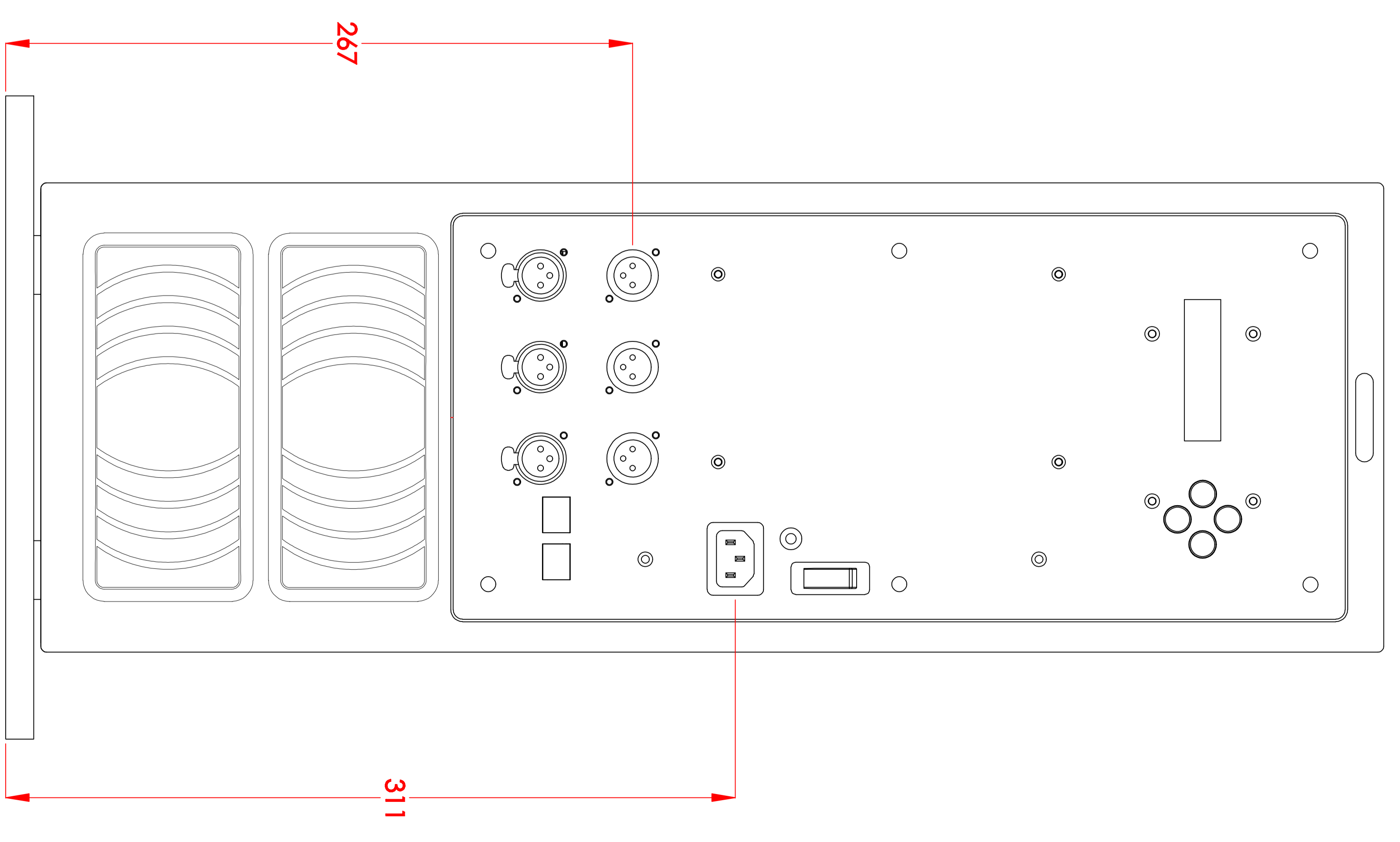
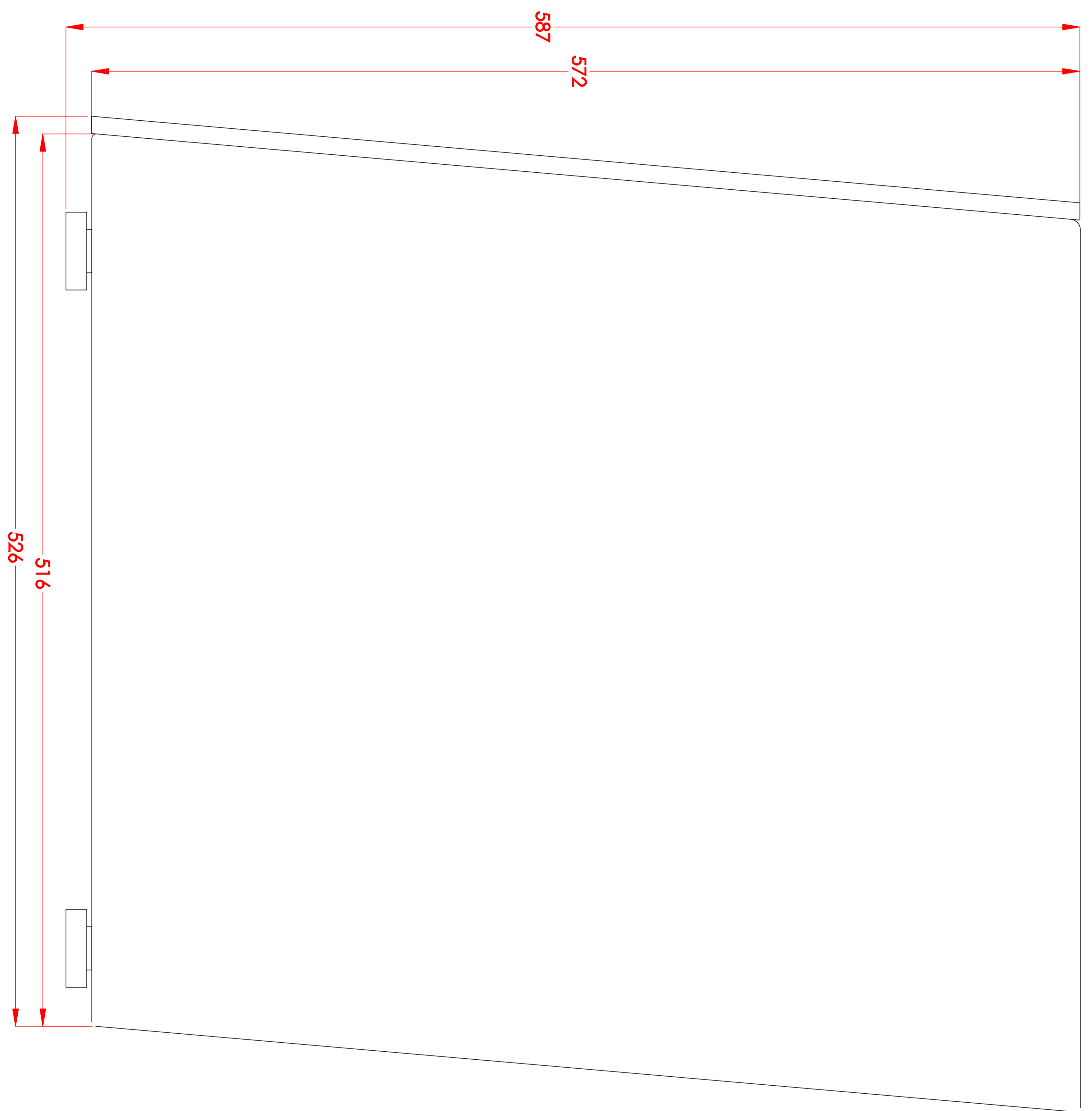
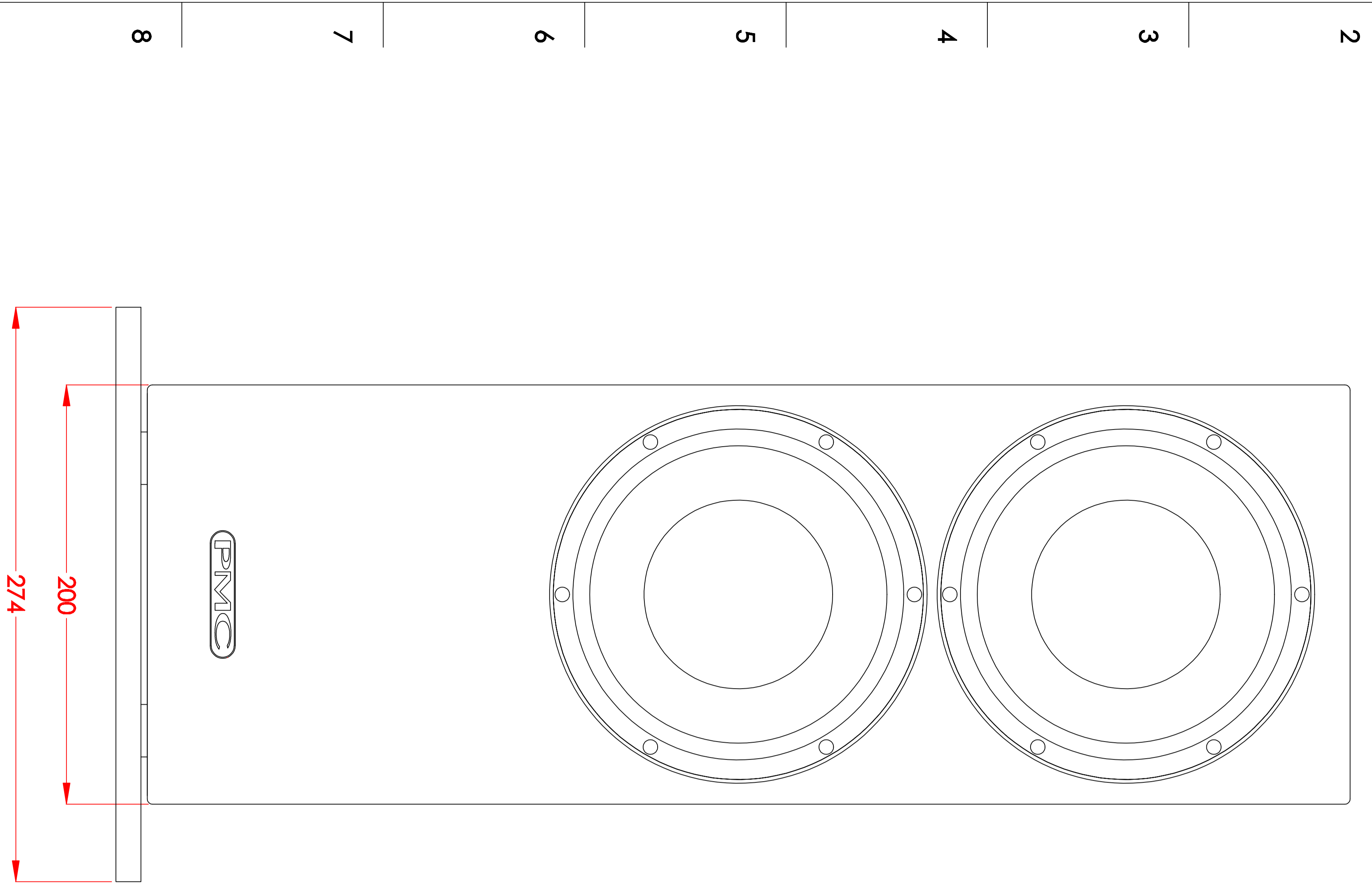
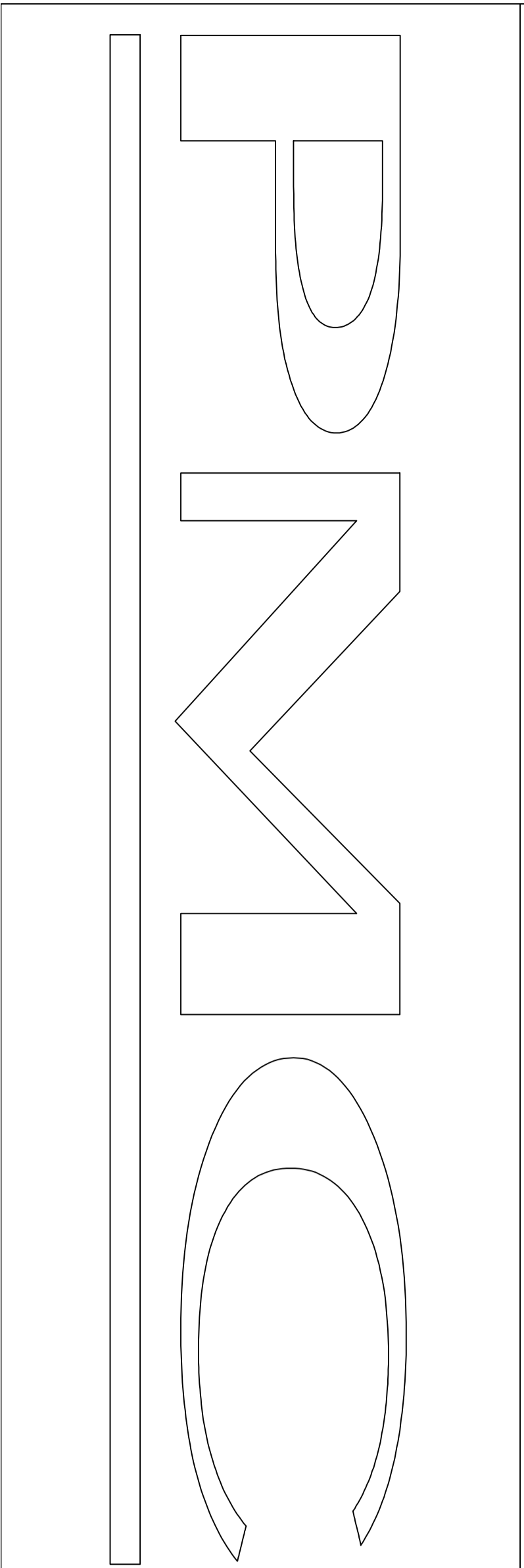


1 A B C D E F G H J K



10  
 Model Shown without spikes attached  
 Weight: 25 Kg



**THE PROFESSIONAL MONITOR COMPANY**  
 Holme Court  
 Biggleswade, Bedfordshire SG18 9ST  
 TEL: 0870 4441044 FAX: 0870 4441045

ORIGINAL	DATE	INIT
APPROVED		
ISSUE 1		
ISSUE 2		
ISSUE 3		

All dimensions in millimetres  
 All tolerances +/-0.2mm unless otherwise specified  
 PROJECT  
**Twenty5 SUB**

TITLE	DRAWING NO.	SHEET
		/