

solidsteel

SS-5 Loudspeaker Stand

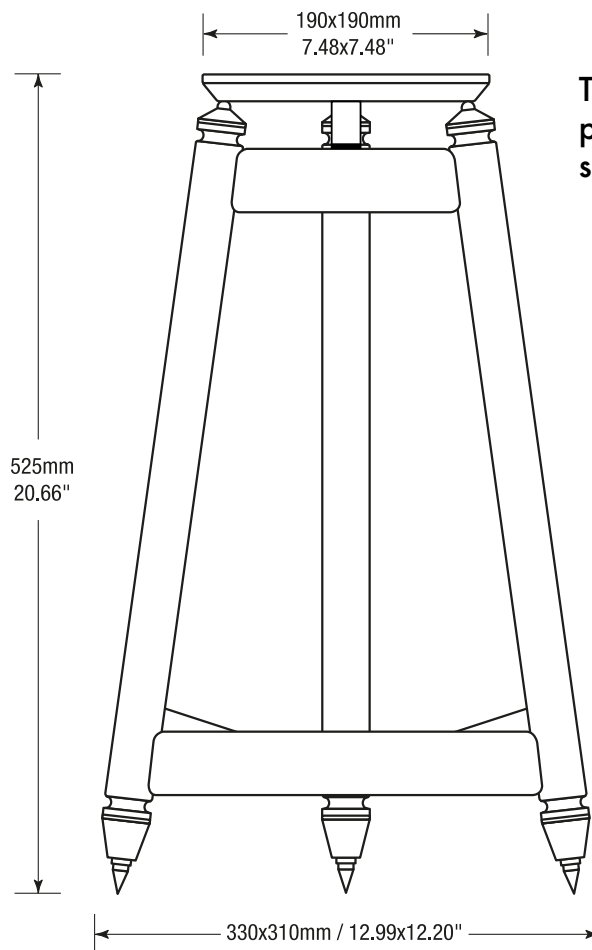
Dear Music Lover,

you just purchased a pair of stands for bookshelf loudspeakers, completely handcrafted and made in Italy. The first time this model was introduced on market is been in 1992, so thank you for your choice.

We recommend to pay attention on the product parts and to assemble it safely, keeping the spikes, the spheres and the other materials away from children or animals. Also, do not forget to consider the surface of the floor. We always suggest to purchase our "S Series Pads" as accessories for decoupling the tips from the ground. The product is fillable with "metallic powder".

Before of screwing the top plates on the frame, put the metal spheres on the concave holes. For any other information or details, visit www.solidsteel.it

Enjoy your music!



The O-ring must be placed towards the steel frame.

Included Materials:

x2 Wooden Top Plates (190x190 mm);
x1 Set of Patafix;
x2 Cilinders in aluminium;
x2 Top Screws;
x6 INOX Spheres;

x6 INOX Traditional Spikes;
x6 Nuts;
x1 Allen Key;
x2 O-rings;
x2 SS Stands;