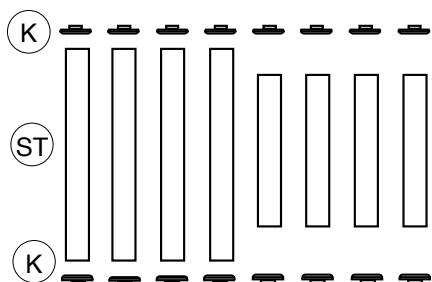
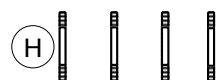
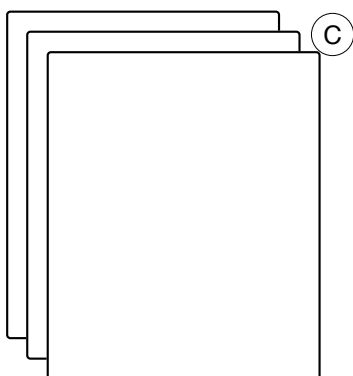
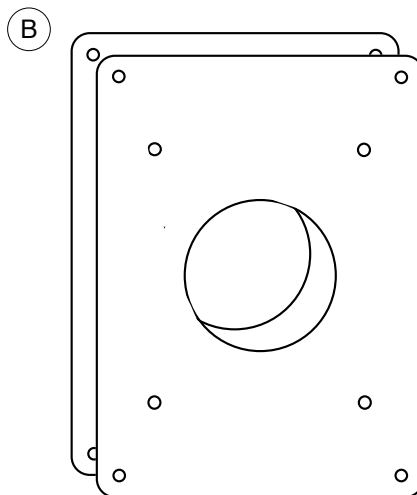
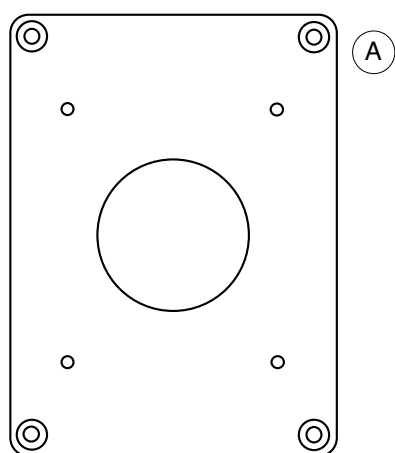


Dear Music Lover,

You just purchased one of our HiFi racks designed to support your listenings. We recommend to assemble the product paying always attention to the floor surfaces to avoid scratches. After assembly is completed, do not forget to regulate the bottom spikes. To clean the shelves just use a damp cloth. The metal poles need to be well locked on the shelves. Each shelf can support a maximum weight of 70 Kg (150 lb). The hardware parts are made to be well locked during the assembly process. Always keep children away from the edges. Thank you, we wish you all the best!

Made in Italy since 1990



solidsteel

S 3

S 4

S 5

